



AFC2000



AFC2000



BFC(2000 ~ 4000)

FRL

AC, BC

AFC, BFC

AF, BF

AR, BR

AFR, BFR

AL, BL

JAC

JAF

JAR



JAW

JAL

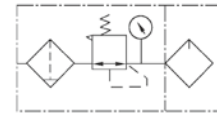
PTH

JAD

## Ordering Code

BFC		3000		D	
Model		Port size		Drain Type	
AFC: Small		1500: G1/8"	2000: G1/4"	Blank: Semi-automatic	
BFC: Medium		3000: G3/8"	4000: G1/2"	D: Automatic	

## Symbol



## Specification

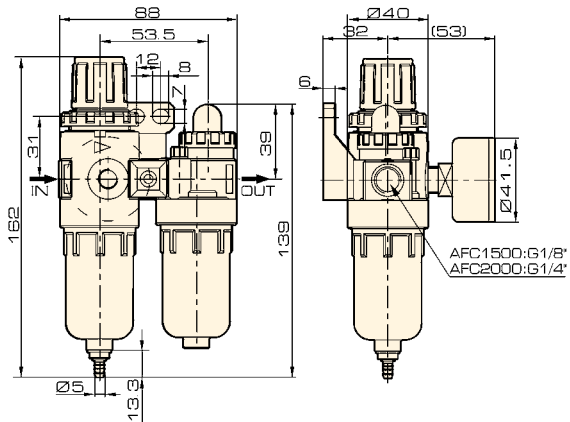
Model	AFC1500	AFC2000	BFC2000	BFC3000	BFC4000	
Operating Fluid	Air					
Port Size	G 1/8"	G 1/4"	G 1/4"	G 3/8"	G 1/2"	
Filter Precision	40 μ					
Range of Adjustable Pressure	0.05 ~ 0.85 MPa					
Max. Adjustable Pressure	0.95 MPa					
Ensured Pressure Resistance	1.5 MPa					
Operating Temperature Range	5 ~ 60 °C					
Capacity of Filter Cup	15 cc			60 cc		
Capacity of oil Cup	25 cc			90 cc		
Suggested Lube	ISO VG 32 or Same Grade Oil					
Weight	0.5 KG		0.7 KG			
Material	Body	Aluminum Die-casting Forming				
	Container Cup	PC				
	Protective Cover	-				
Composed Elements	Filter Regulator	AFR1500	AFR2000	BFR2000	BFR3000	BFR4000
	Lubricator	AL1500	AL2000	BL2000	BL3000	BL4000

# AFC, BFC Series

## Two-point Combination (FR.L. Combination)

### Overall Dimension

#### AFC



#### BFC

